



IP Plink Injector – Datasheet

IP66 Plink Injector for outdoor installation.



ENTTEC's IP Plink Injector is IP66 upgrade of our familiar Plink Injector for outdoor integration.

The rugged and IP rated aluminium case provides superb dust and water protection. Round shape cable gland suited for widely available wiring cable.

Adjust the voltage setting by swapping voltage jumper position to suit your design need.

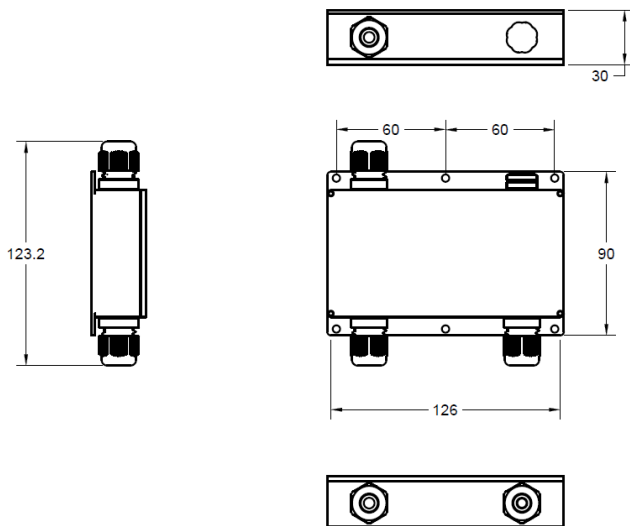
Features

- Each Plink port can drive up to 340 RGB individual pixels (2 DMX universe).
- Designed for use with Pixelator system.
- External DC power supply.
- Data extensions up to 300 meters over Cat5/Cat5e/Cat6 cable.
Note: Only use CAT5/6 Straight-through cables, do not use crossover cables
- Easy wiring using Cat5/Cat5e/Cat6 standard connections.
- Machined 6061 aluminium enclosure – light weight, rugged, impact resistant, long lasting, corrosion resistant, UV resistant.
- Premium nylon cable glands for installation flexibility.
- Breath seal (automatic pressure equalization, manages condensation to avoid electronic failures).
- IP66 enclosure (powerful water jets, high pressure washdown resistant).
- Adjustable voltage jumper position for 5V, 12V-24V settings.

Specification

Connectors	3x Cable gland (Ø4mm-8mm)
	1x Breath seal
IP rating	IP66
Input Data Protocol	Plink
Data Output Type	SPI. See website for all supported protocols
Input Voltage (See jumper config guide)	5V DC
	12-24V DC
Maximum Throughput Capacity	5V – 50 Watt
	12V – 120 Watt
	24V – 240 Watt
Max. Current per screw terminal (VCC or 0V)	10 Amps
Environmental operating temperature	-10°C to 65°C
	14°F to 149°F
Environmental operating humidity	5- 95% (non-condensing)
Body material	6061 Aluminium
Unit dimensions	126 * 123.2 * 30 mm
Unit weight	0.28kg / 0.62lbs
Shipping dimensions	140 * 140 * 40mm
Shipping weight	0.34kg / 0.75lbs
Warranty	3 year return to base manufacturer warranty

Physical Dimension



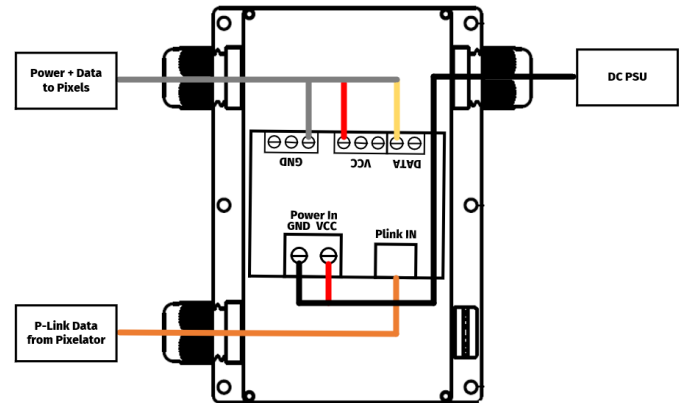
Certification



Box contents

- IP Plink Injector
- Top lid screws - 4pcs
- Foam Gasket

Wiring diagram



Safety

- Make all the connections before you plug in the mains power.
- Never plug this unit into a dimmer pack
- Installation should be planned to avoid strain on connecting cable.
- Check jumper position for voltage setting (5V, 12V-24V) before powering up.



Position 1&2 = 5VDC



Position 2&3 = 12-24VDC

Ordering information

For further support and to browse ENTTEC's range of products, visit the ENTTE WEBSITE.

Item	SKU
IP Plink Injector	73924

enttec.com

MELBOURNE AUS / LONDON UK / RALEIGH-DURHAM USA

Due to constant innovation, information within this document is subject to change.