

SMART PXL40 DOT

High Resolution Smart 40mm RGB pixel dot. Default String of 20 with 125mm pitch



Robust and reliable, ENTTEC’s high-resolution, individually addressable SMART PXL 40 Dots are designed and made in Australia from marine grade aluminum to withstand the harshest of environments.



Easy to install and configure into any conceivable shape, SMART PXL dots create spectacular, crisp lighting effects while adding a stylish design element to your venue or installation chose between default options and custom items for

Engineered to take any architectural, commercial or entertainment project to the next level, the SMART PXL range has been created by lighting professionals for lighting professionals.

FEATURES

- Auto-addressing pixels for fast commissioning
- 16-bit control for ultra-smooth dimming or option for simulated 8-bit control (ONLY with ENTTEC pixel controllers) for reduced channel quantity
- 125mm default pixel pitch (customizable; min/max length: 125mm/2000mm)
- Default string 20 dots with premium IP-rated connectors at each end (length: 3375mm)
- SPXL 16-bit. Refer to www.enttec.com/support/supported-led-pixel-protocols/ for list of compatible ENTTEC controllers.
- This product requires an external DC power supply and data source for operation. (not included)

SPECIFICATIONS

LED source	6 pcs RGB SMD3535 - Customization options available	
Lumens (lm)	No Lens	33
	Dome Lens	24
	Flat Lens	29
Efficacy lm/watt	No Lens	22
	Dome Lens	16
	Flat Lens	19.3
Control protocol	ENTTEC SPXL-8 / SPXL-16	
SPXL-8 channel footprint (8-bit)	3 DMX channels/dot	
	Red Green Blue	
SPXL-16 channel footprint (16-bit)	6 DMX slots/dot	
	Course Fine Course Fine Course Fine	
Pixel ordering	SPXL-8: R-G-B SPXL-16: R-R-G-G-B-B	
Colour resolution (8-bit)	$2^8 \times 2^8 \times 2^8 = 16.7$ million (Note 1)	
Colour resolution (16-bit)	$2^{16} \times 2^{16} \times 2^{16} = 68$ billion (Note 2)	
Dots controllable per DMX universe:	SPXL-8:	170 dots
	SPXL-16:	85 dots
Compatible protocol	UCS8903 (16 bit ONLY)	
Projected lumen maintenance	50,000 hrs (L70) - within the working temperature range	
Body material	Machined and anodized 6032 aluminum body	
Base dot size	47 x 57 x 13 mm	
Dot pitch	Default: 125mm (8 dots/m) - Customization options available	
Weight	1.00 kg (string of 20 dots)	
IP rating	IP67	
Operating temperature	-20°C to +50°C	
Heat dissipation (maximum)	1.5 Watts	
Input voltage	24 V DC	
Maximum power	1.6 W/dot (1.4W nominal)	
Maximum current draw	60 mA/dot	
Rated current throughput capacity 10A	10A	
Cable resistance	0.0132 Ohm/m	
Cable thickness	16AWG	
Incoming cable length (connector to first dot)	Default: 500mm	
	Customization options available	
Outgoing cable length (last dot to connector)	Default: 500mm	
	Customization options available	
Connector type	Default: AMPHENOL AT Series Customization options available	
Connector gender	In	Male
	Out	Female

Connector pinout	Pin 1	GND
	Pin 2	Data+
	Pin 3	Not Connected
	Pin 4	+24v
Warranty	3 Year Return to Base Manufacturer Warranty	

INFORMATION

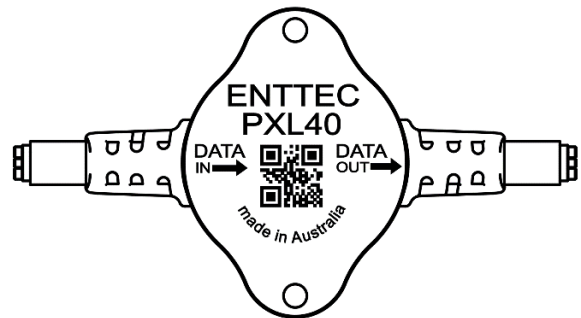
Connecting SMART PXL Dots

Use any 24v compatible ENTTEC pixel controller to control the SMART PXL Dot 40. For the latest information visit:

www.enttec.com/range/controls/addressable-led-pixel-control/.

Data Direction

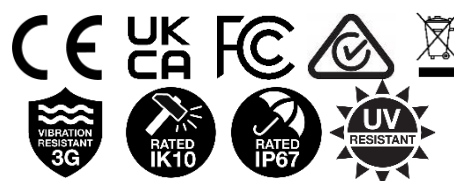
The pixel data in the SMART PXL 40 Dot must travel in a specific direction for it to function. This direction can be identified through the laser etching on the base of the first and last dot of each string:



Installation

Before handling or specifying this product, always refer to its installation guide and familiarize yourself with the safety notes. If ever unsure consult ENTTEC.

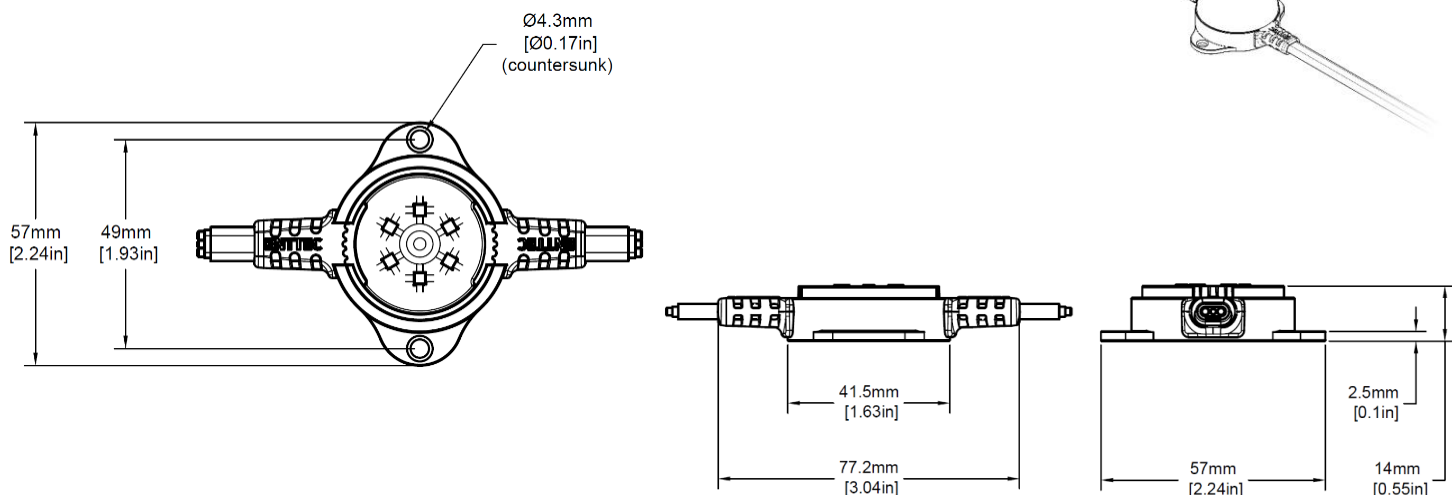
Certification



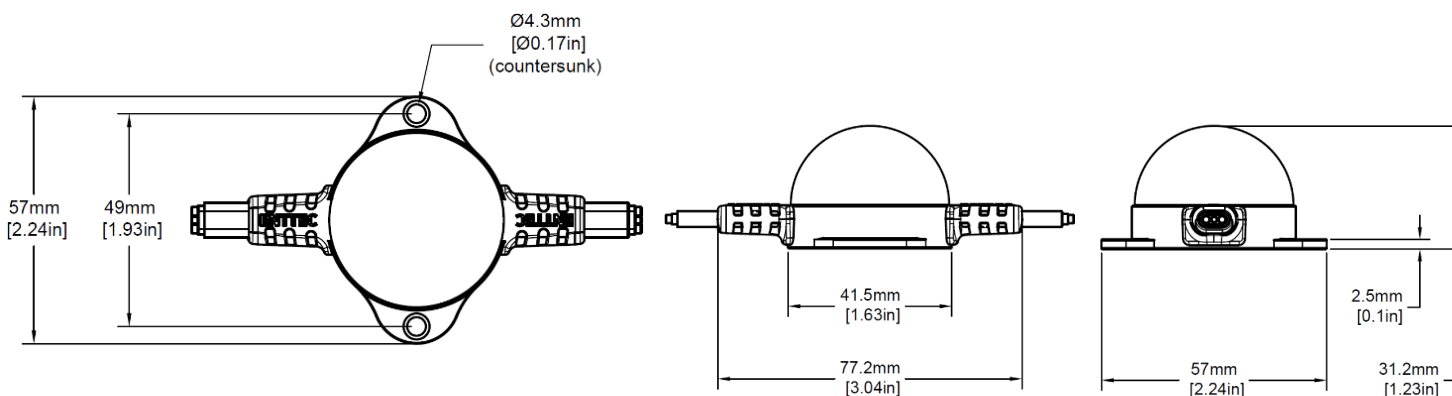
Salt corrosion test (eg ASTM B117) not applicable due to non-metallic, inherently salt resistant body and lens material.

PHYSICAL DIMENSIONS

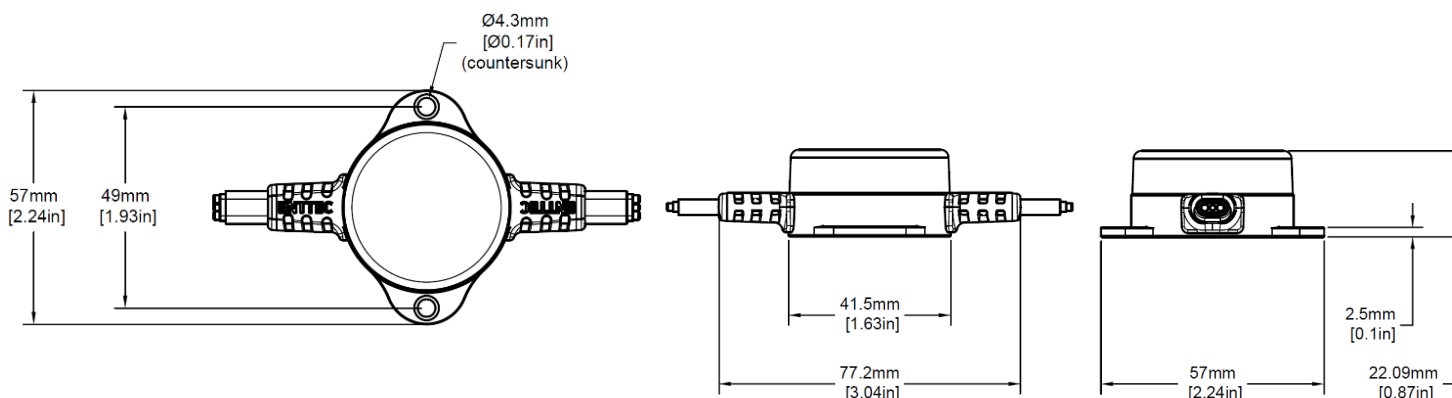
Smart PXL 40 Dot - No Lens (73010)



Smart PXL 40 Dot - Dome Lens (73011)

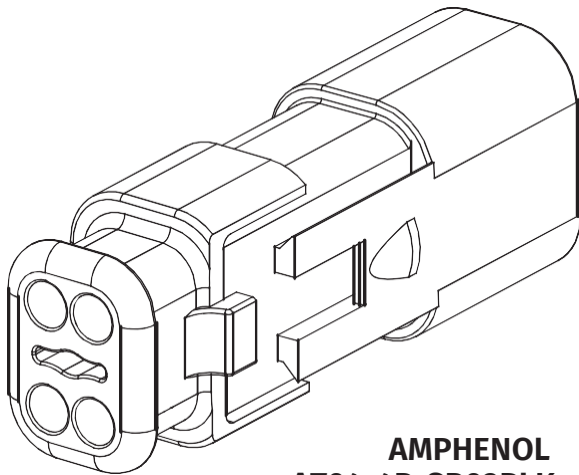


Smart PXL 40 Dot - Flat Clear Lens (73012)



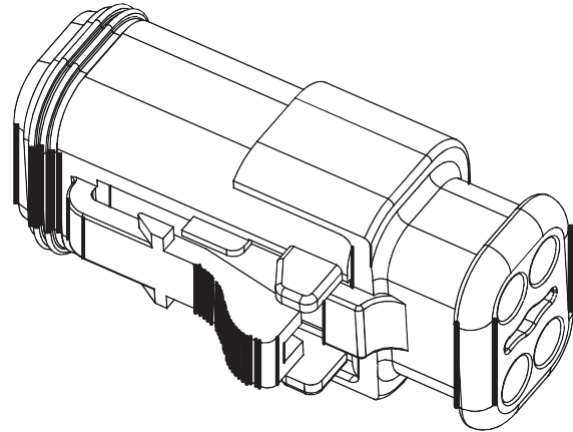
PREMIUM CONNECTORS

For ultimate reliability, ENTTEC offers Amphenol AT series connectors (compatible with DEUTSCH DT systems).



**AMPHENOL
AT04-4P-SR02BLK**

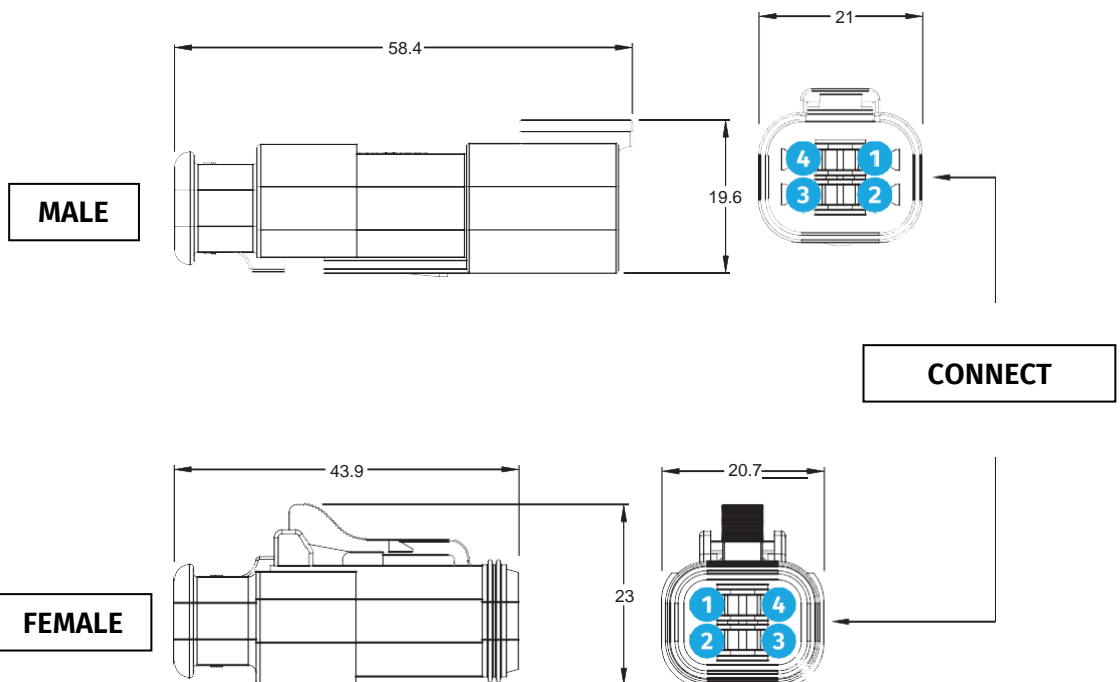
4-way receptacle, **MALE** connector with strain relief, reduced diameter seal, black.



**AMPHENOL
AT06-4S-SR02BLK**

4-way plug, **FEMALE** connector with reduced diameter seal (E-Seal), endcap, and strain relief, black.

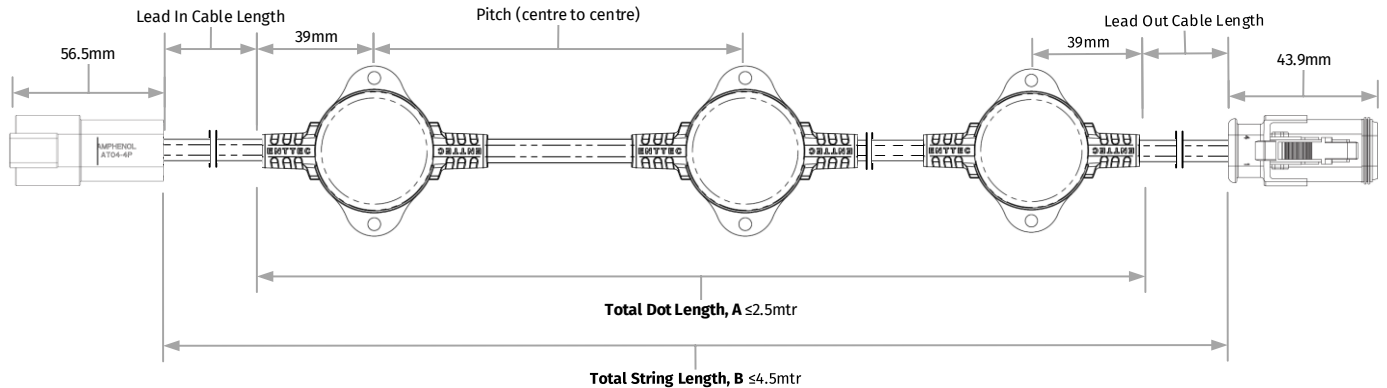
Pin output configurations



Cable Customization

Enttec support cable length customization. Please see below illustration for length limit.
Refer to order code section and reach out to ENTTEC or your ENTTEC dealer to discuss your project needs.

Cable length customisation limit



ORDERING INFORMATION

SMART PXL 40 DOTS

Visit [website](https://www.enttec.com) to shop for SMART PXL 40 Dots.
To discuss customization options, contact our friendly sales team via sales@enttec.com.

Product code	Dots per string	Pixel pitch* (mm)	Lead in length* (mm)	Lead out length* (mm)	LED type	Body material	Lead in connector type	Lead out connector Type ¹
73010 No Lens	Min: 3 Max: 20	Min: 125	Min: 150	Min: 150	RGB	DFT Default metal body	ATM Amphenol AT Series Male-Connectors	ATF Amphenol AT Series Female-Connectors
73011 Frosted Dome Lens		Max: 1200	Max: 2000	Max: 2000				
73012 Clear Flat Lens		Increment : 25	Increment : 25	Increment : 25			BET (Custom - Bare end tinned)	BET (Custom - Bare end tinned)

* Length tolerance: ±5%

ITEM	PART NUMBER
SMART PXL 40 Dot no lens/ 20 dots per string/ 125mm pitch/ 500mm lead in cable/ 500mm lead out cable/ RGB/ Default Body/ Amphenol AT male input/ Amphenol AT female output	73010-20-125-500-500-RGB-DFT-ATM-ATF

enttec.com

MELBOURNE AUS / LONDON UK / RALEIGH-DURHAM USA / DUBAI UAE

Due to constant innovation, information within this document is subject to change.

¹ ENTTEC Termination End Cap [73015] only compatible with Female Amphenol AT series connector